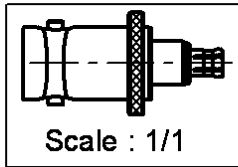
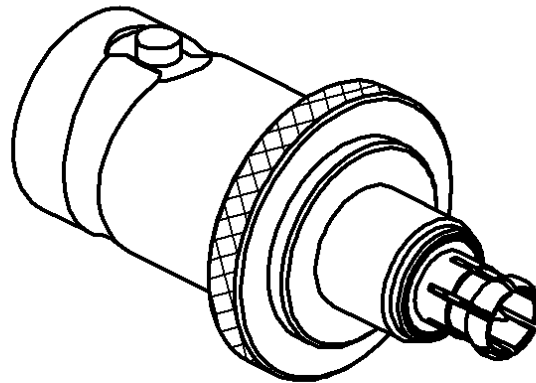
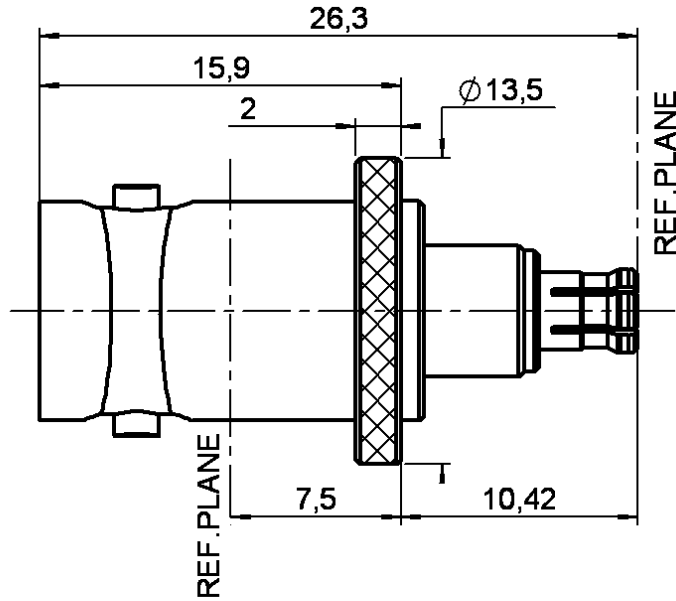


FEMALE BNC - MALE MCX

R192.475.007

Série : ADAPT 75



All dimensions are in mm.



COMPONENTS	MATERIALS	PLATINGS (µm)
BODY	BRASS	BBR 2
CENTER CONTACT	BERYLLIUM COPPER	GOLD 1.3 OVER NICKEL 2
OUTER CONTACT	BERYLLIUM COPPER	BBR 2
INSULATOR	PTFE	
GASKET	-	-
OTHERS PARTS	-	-
-	-	-
-	-	-

Issue : 0315 A

In the effort to improve our products, we reserve the rights to make changes judged to be necessary.



FEMALE BNC - MALE MCX

R192.475.007

Série : **ADAPT 75**

PACKAGING

SPECIFICATION

Standard	Unit	Other
	'W' option	Contact us

ELECTRICAL CHARACTERISTICS

Impedance		75 Ω
Frequency		0-1.5 GHz
VSWR	1.3 +	0.000 x F(GHz) Maxi
Insertion loss		0.2 √F(GHz) dB Maxi
RF leakage	- (NA - F(GHz)) dB Maxi
Voltage rating		335 Veff Maxi
Dielectric withstanding voltage		750 Veff mini
Insulation resistance		1000 MΩ mini

ENVIRONMENTAL

Operating	-55/+155 °C
Hermetic seal	NA Atm.cm3/s
Panel leakage	NA

MECHANICAL CHARACTERISTICS

Center contact retention		
Axial force – Mating end		10 N mini
Axial force – Opposite end		10 N mini
Torque		NA N.cm mini

Recommended torque		
Mating	BNC	0 N.cm
	MCX	0 N.cm
	-	0 N.cm
Panel nut		NA N.cm

Mating life		500 Cycles mini
Weight		6.450 g

OTHERS CHARACTERISTICS

Issue : 0315 A

In the effort to improve our products, we reserve the rights to make changes judged to be necessary.

